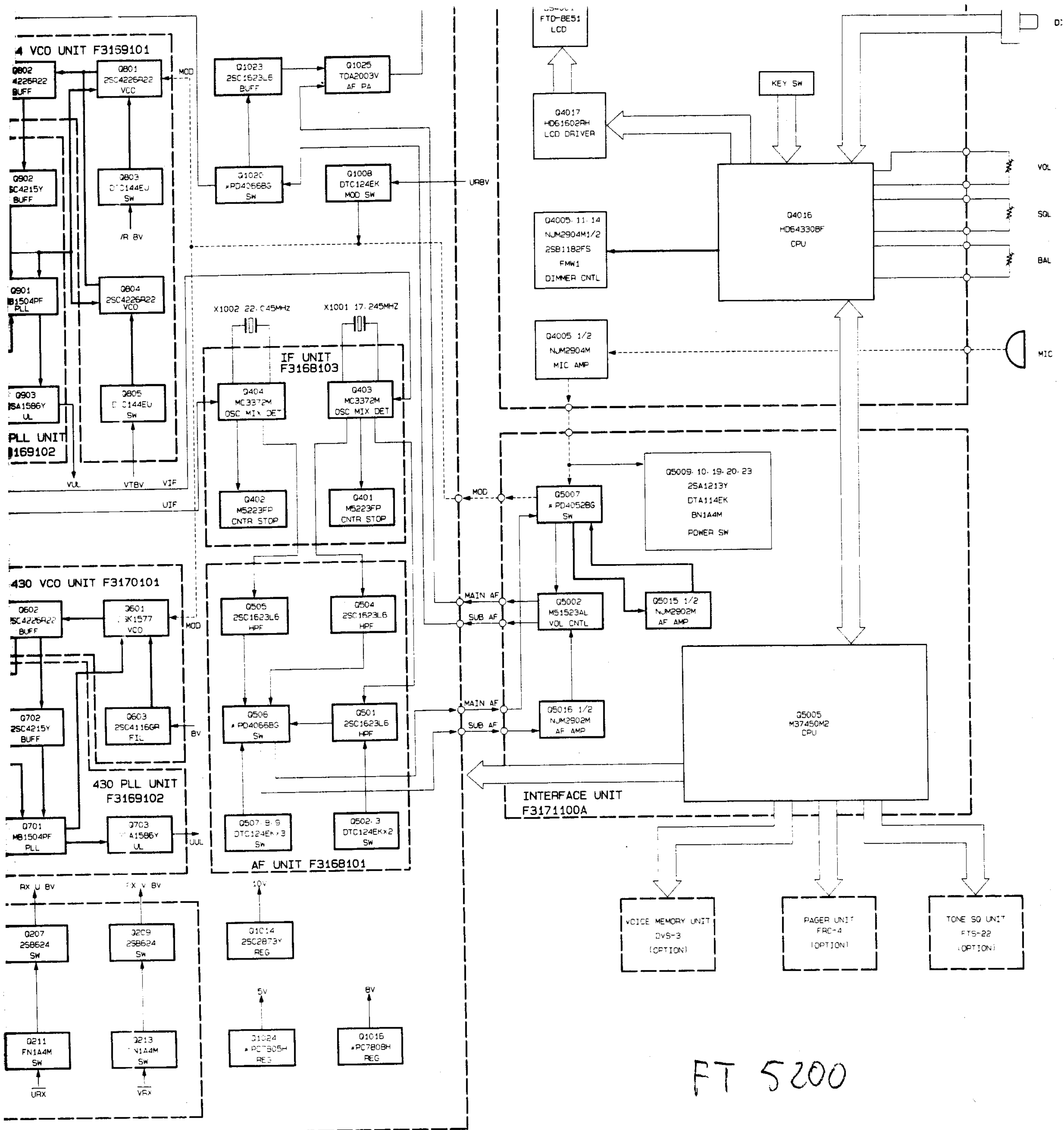


Scanned by IW1AXR  
 Downloaded by RadioAmateur.EU

	#1	#2	#3
L	Q101 M57715	Q1004 M57704MR	—
M	Q201 M57737	Q206 M57788MR	15S97
H	Q202 S-AV24	Q207 M57788MR	15S97

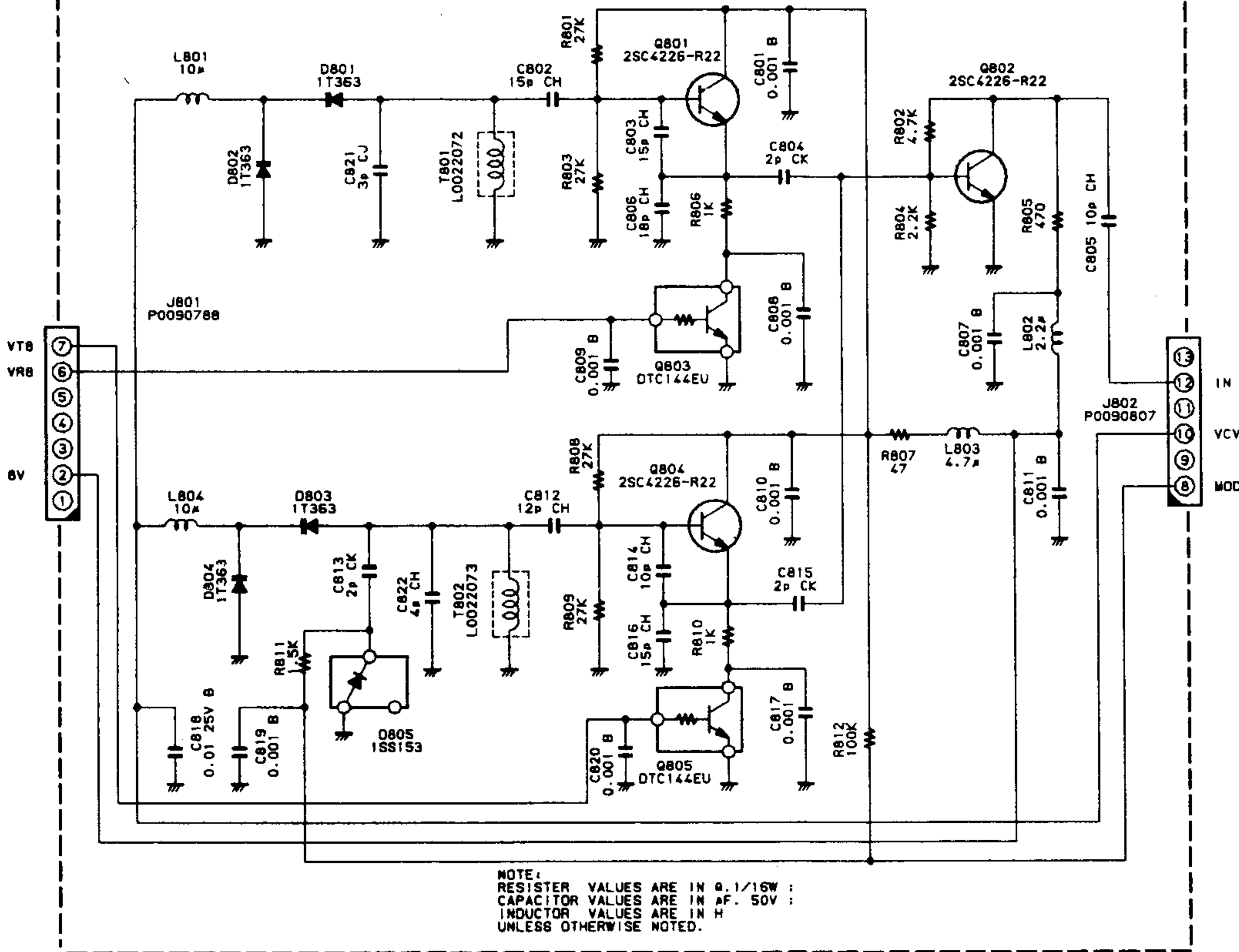
→ RX  
 - - - TX  
 → COMMON



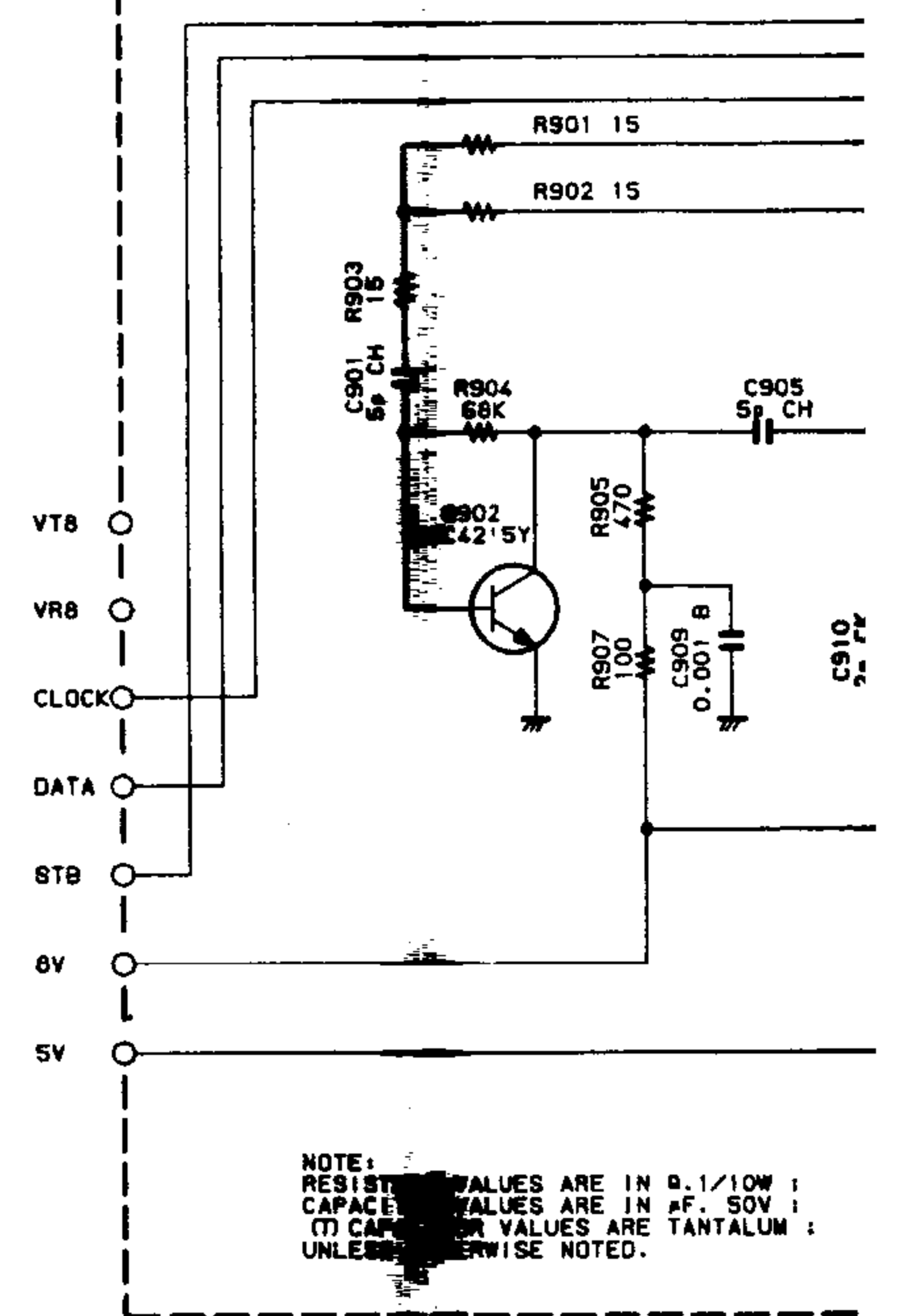
FT 5200

# 3	
D103	→ RX
1SS97	→ TX
1SS97	→ COMMON

144-VCO-UNIT F3169101



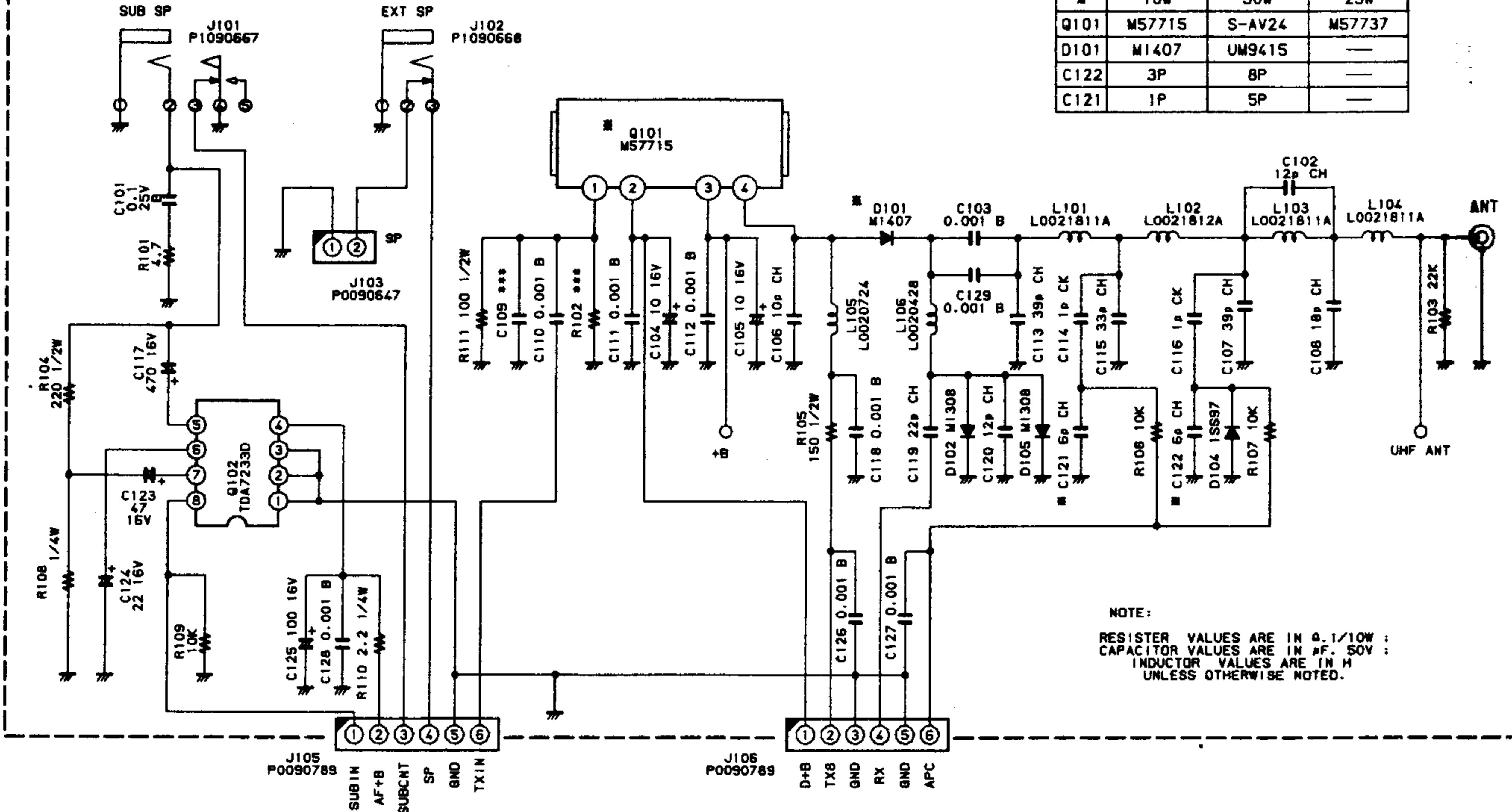
144-PLL-UNIT F3169101



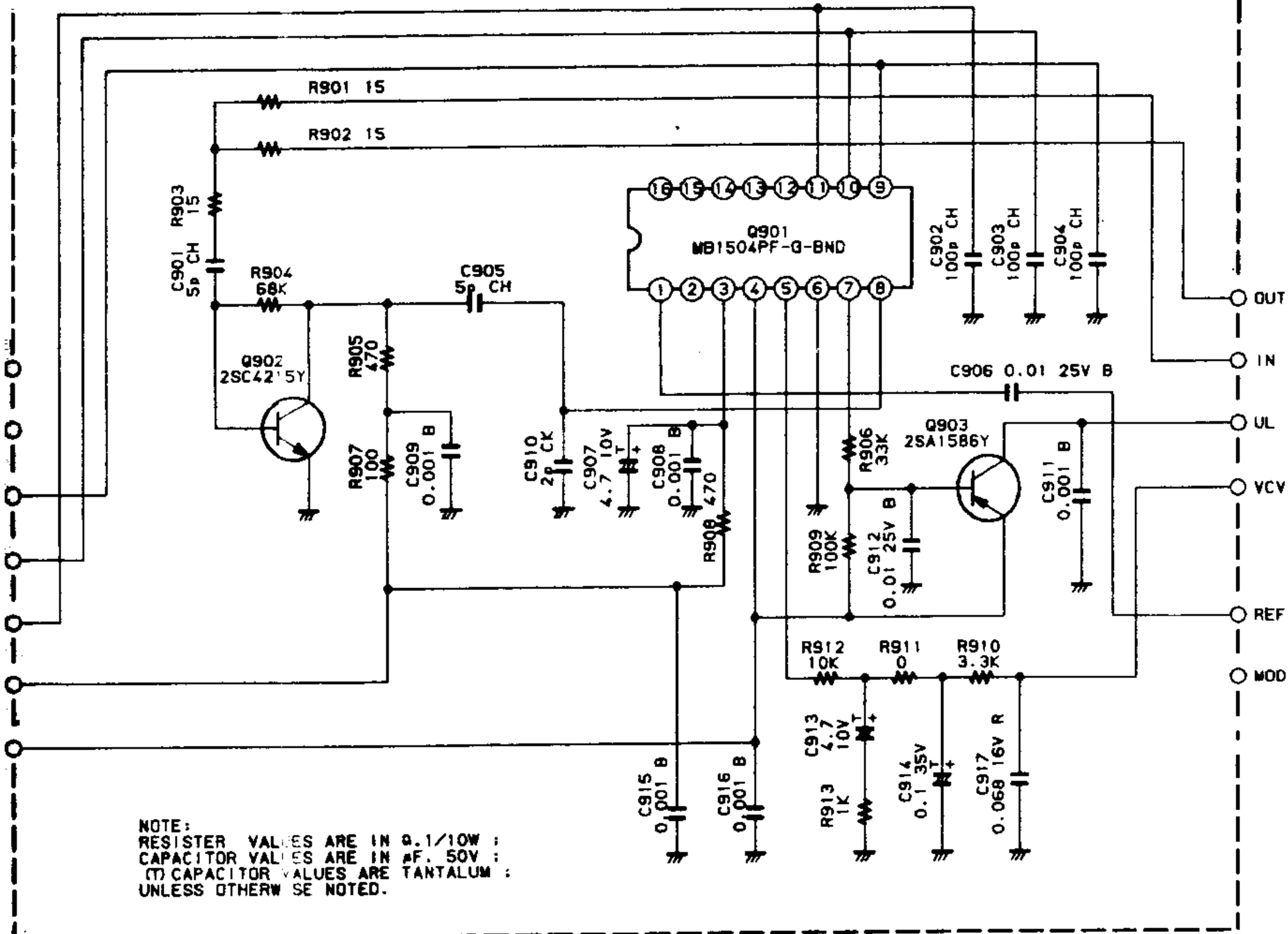
Scanned by IW1AXR

Downloaded by  
RadioAmateur.EU

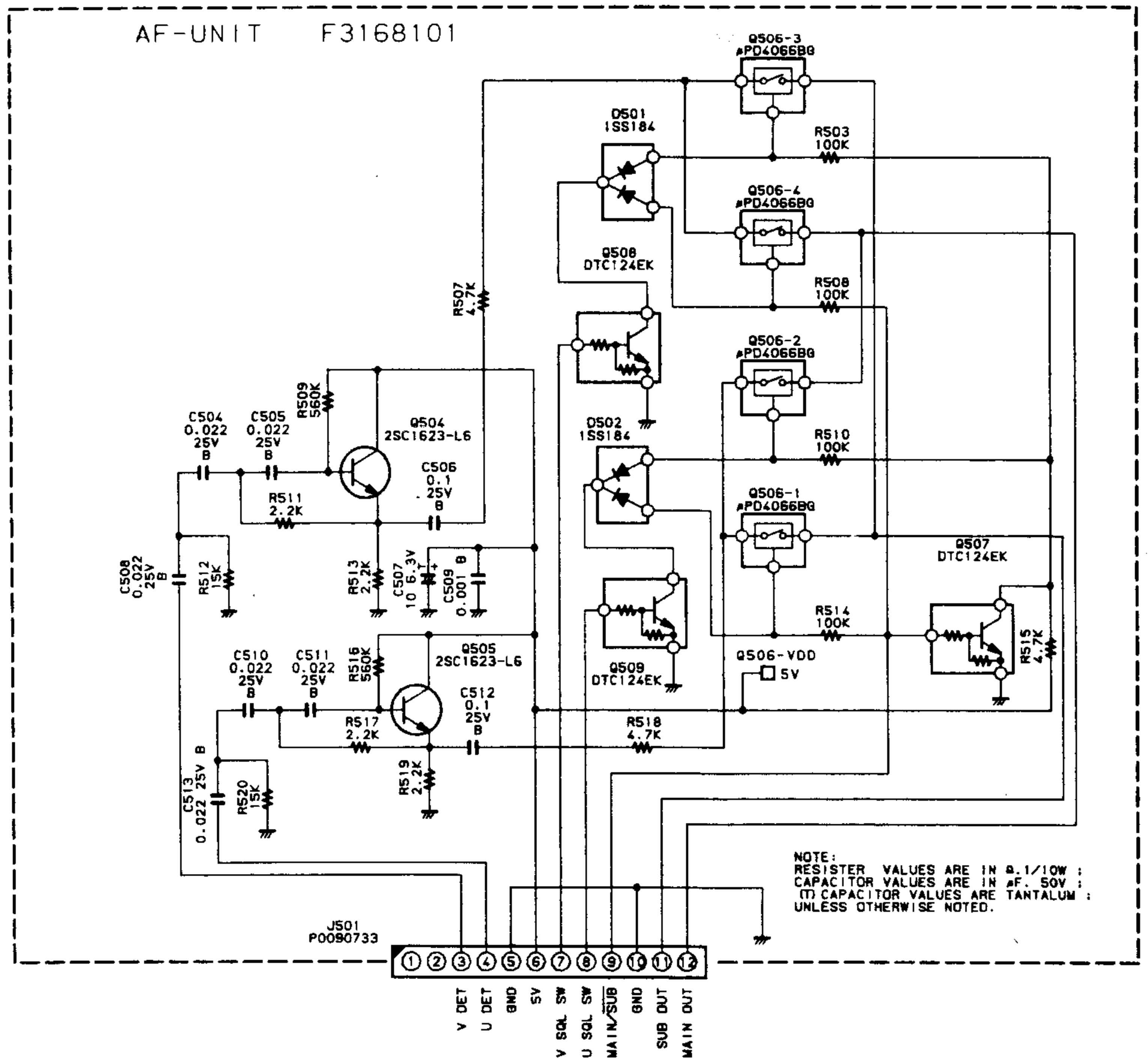
144 PA UNIT F3167101



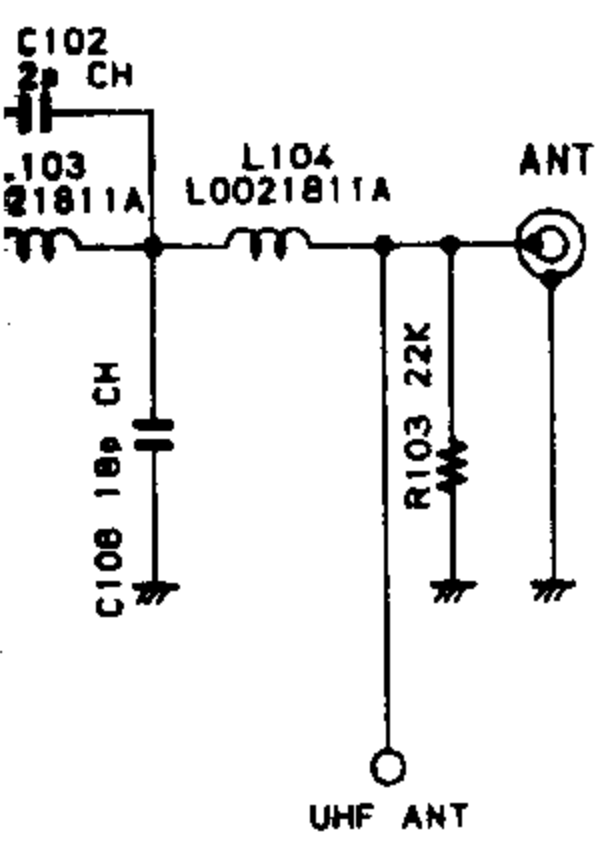
144-PLL-UNIT F3169102



AF-UNIT F3168101

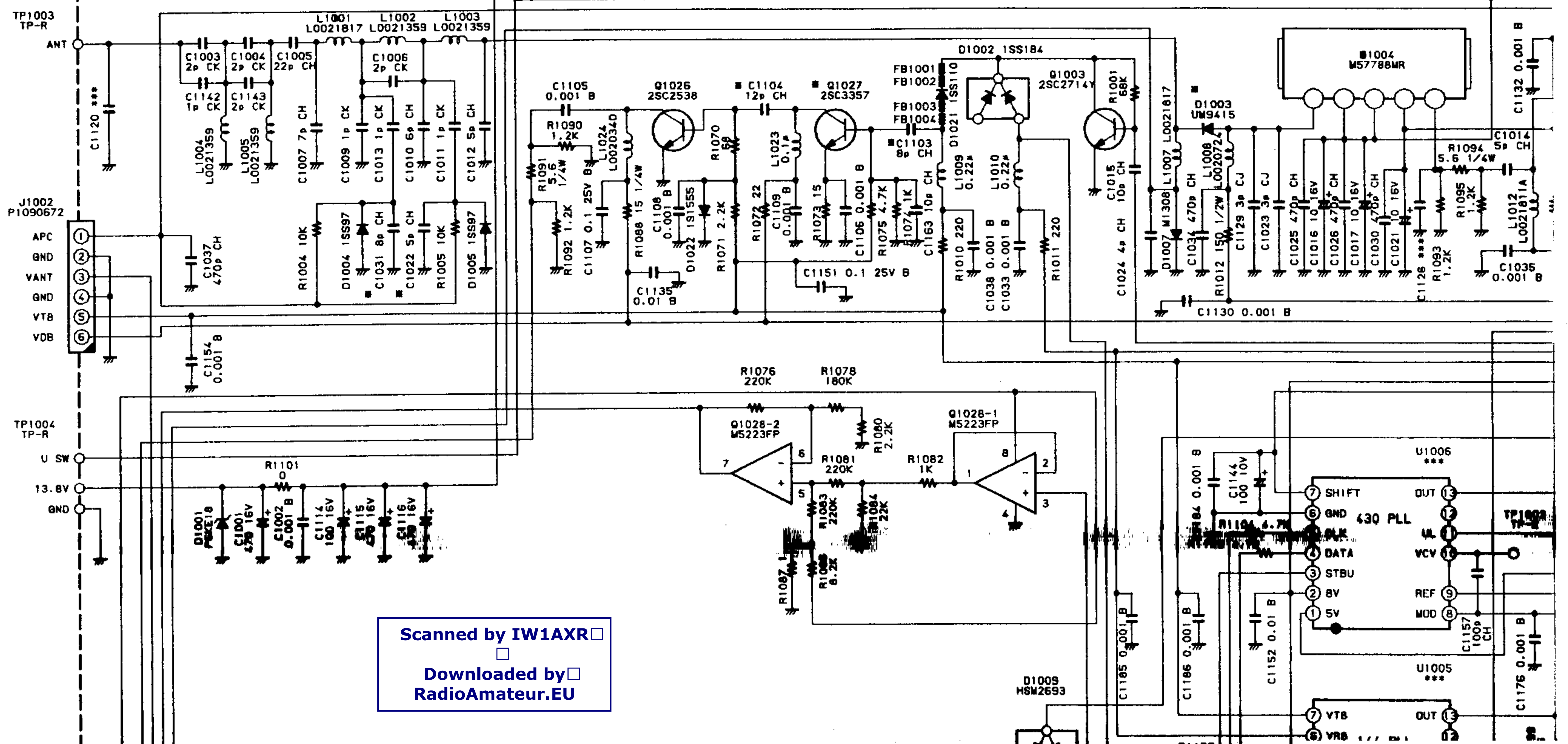


25W
M57737

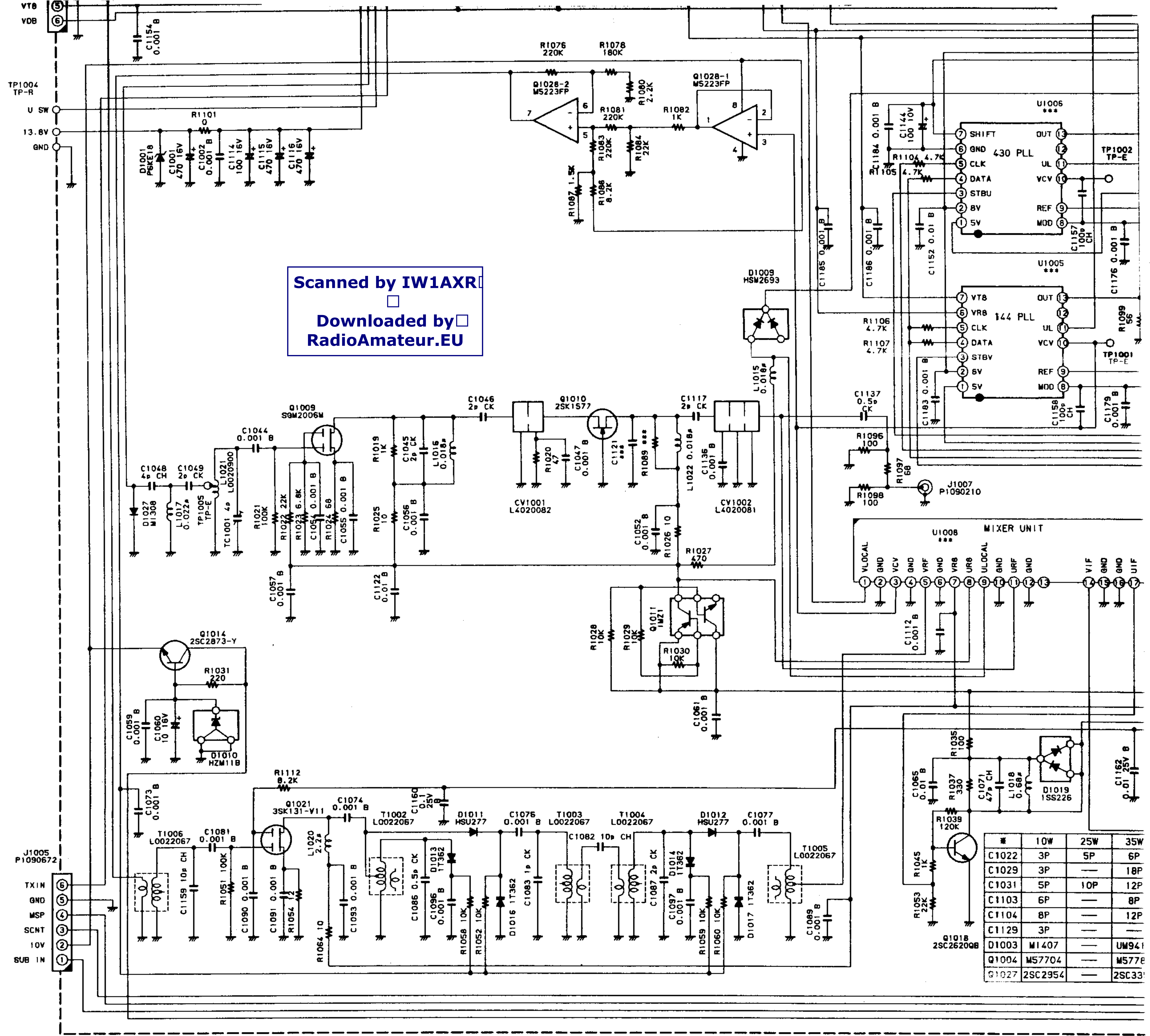


IN Ω, 1/10W ;  
IN μF, 50V ;  
ARE IN H  
E NOTED.

MAIN-UNIT F3166000



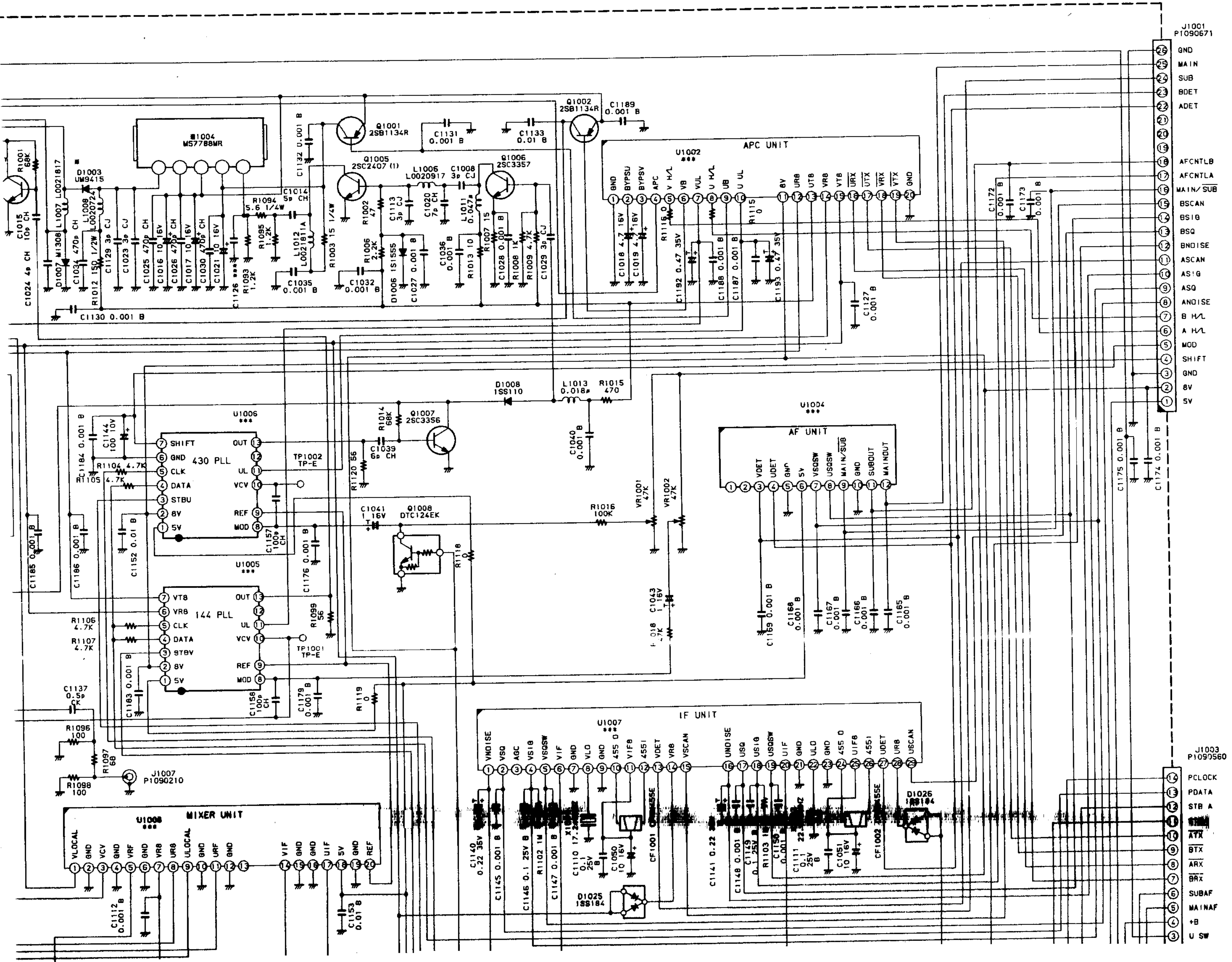
Scanned by IW1AXR  
Downloaded by RadioAmateur.EU



Scanned by IW1AXR  
 Downloaded by RadioAmateur.EU

#	10W	25W	35W
C1022	3P	5P	6P
C1029	3P	—	18P
C1031	5P	10P	12P
C1103	6P	—	8P
C1104	8P	—	12P
C1129	3P	—	—
D1003	MI407	—	UM941
Q1004	MS7704	—	MS77E
Q1027	2SC2954	—	2SC33



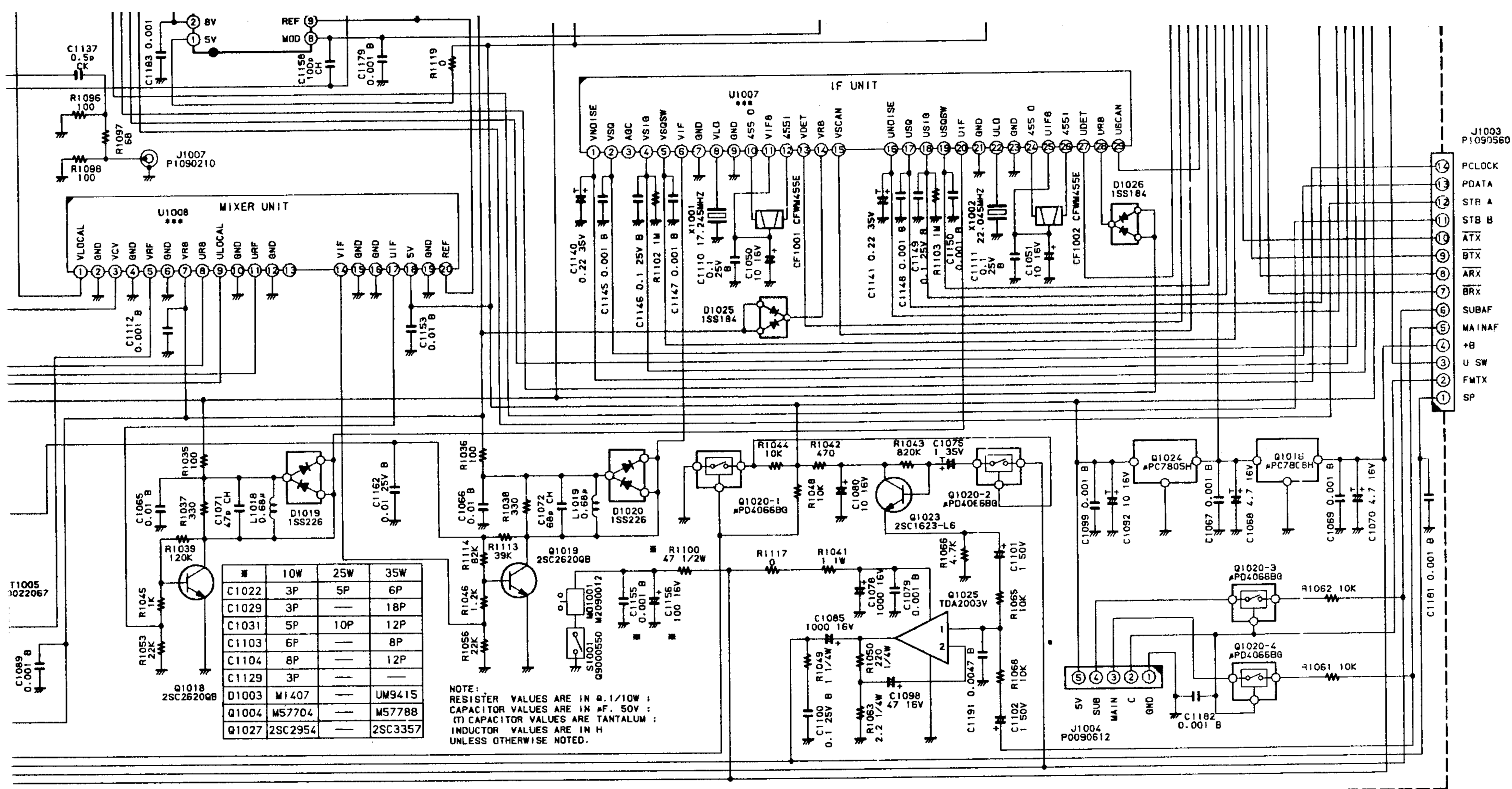


J1001  
P1090671

GND  
MAIN  
SUB  
BDET  
ADET  
AFCTRLB  
AFCTRLA  
MAIN/SUB  
BSCAN  
BSIG  
BSQ  
BNDISE  
ASCAN  
ASIG  
ASQ  
ANDISE  
B H/L  
A H/L  
MOD  
SHIFT  
GND  
8V  
5V

J1003  
P1090560

PCLOCK  
PDATA  
STB A  
ATX  
BTX  
ARX  
BRX  
SUBAF  
MAINAF  
+B  
U SW

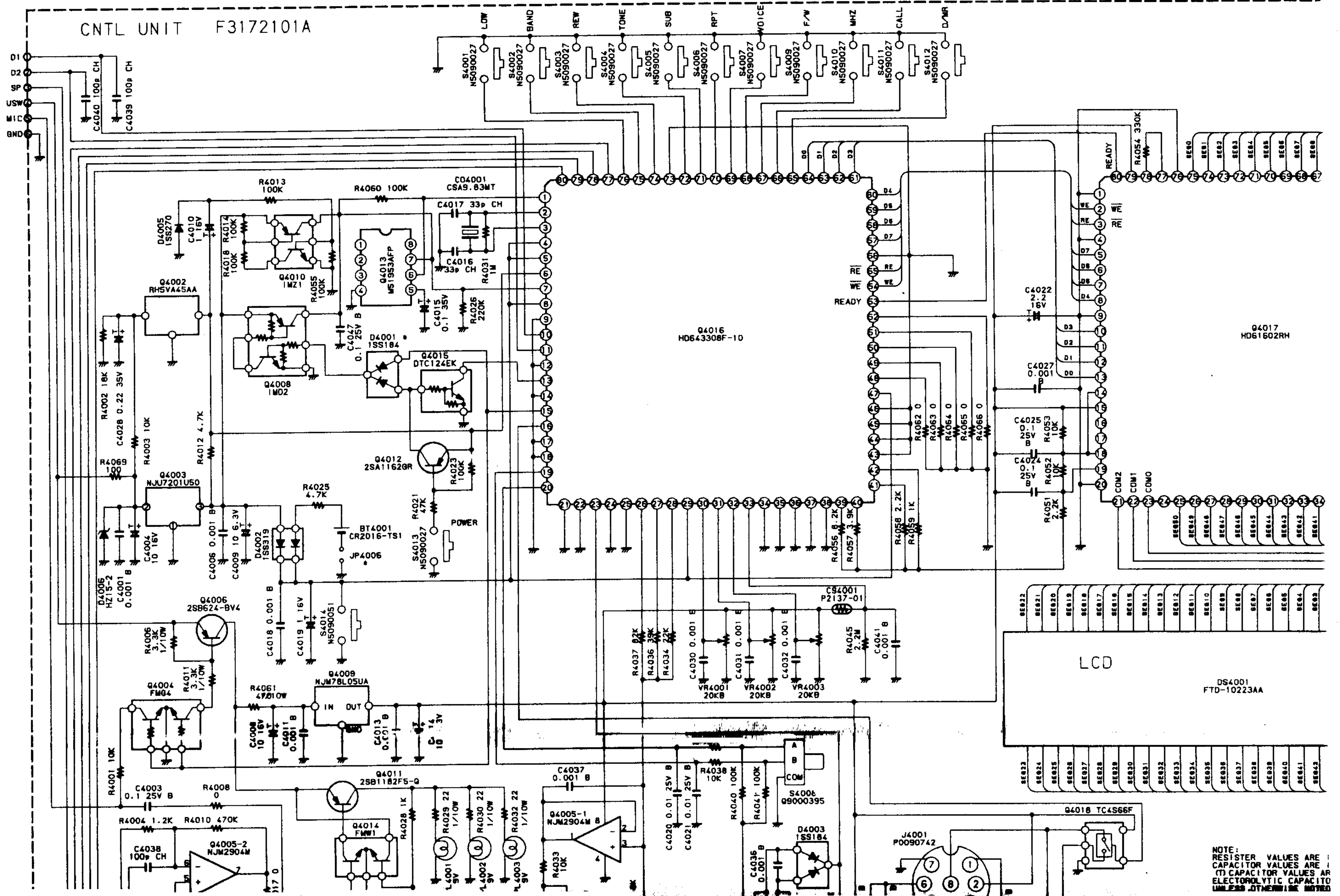


- J1003 P1090560
- PCLOCK
- PDATA
- STR A
- STR B
- ATX
- BTX
- ARX
- BRX
- SUBAF
- MA1NAF
- +B
- U SW
- FMTX
- SP

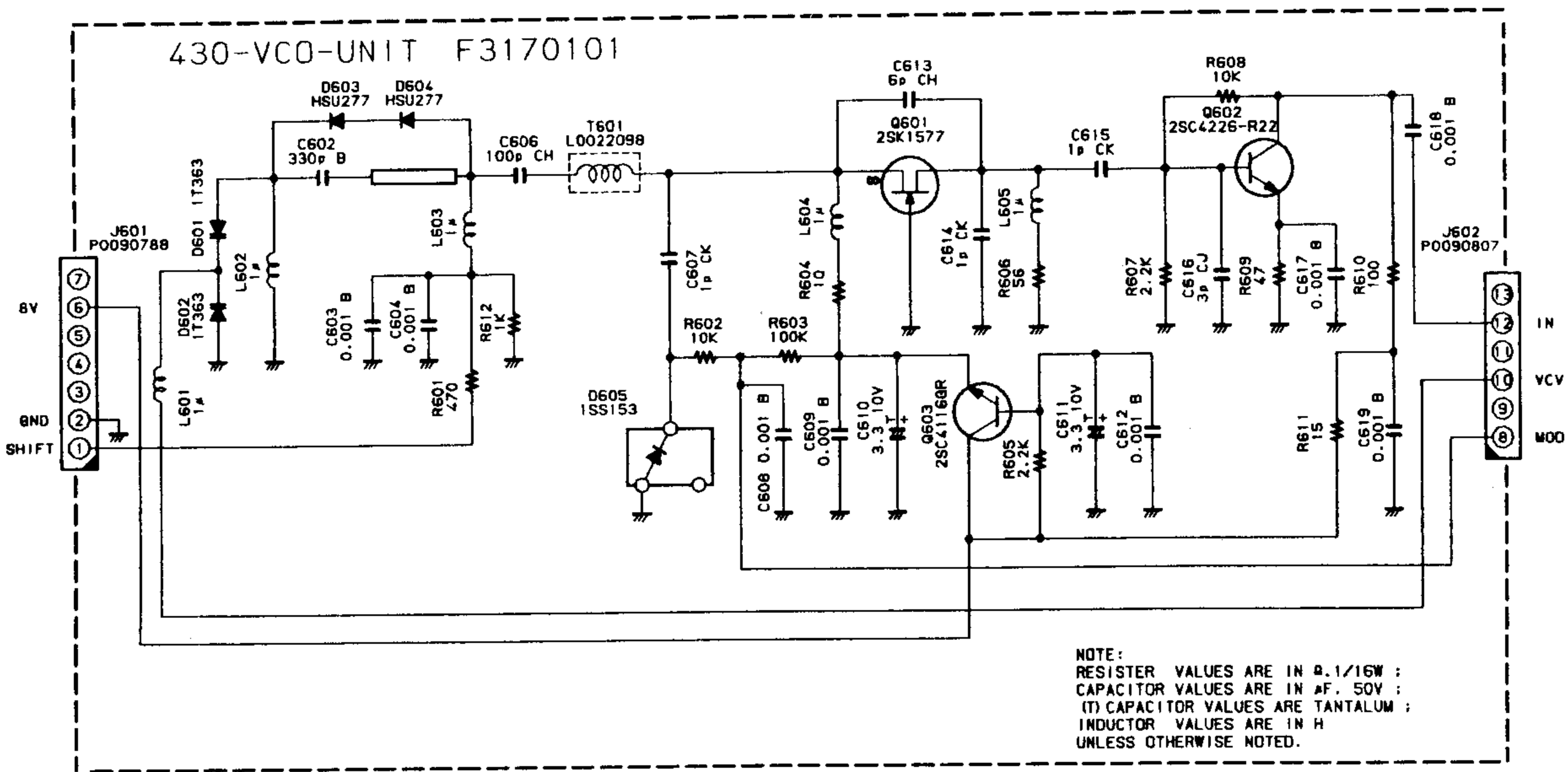
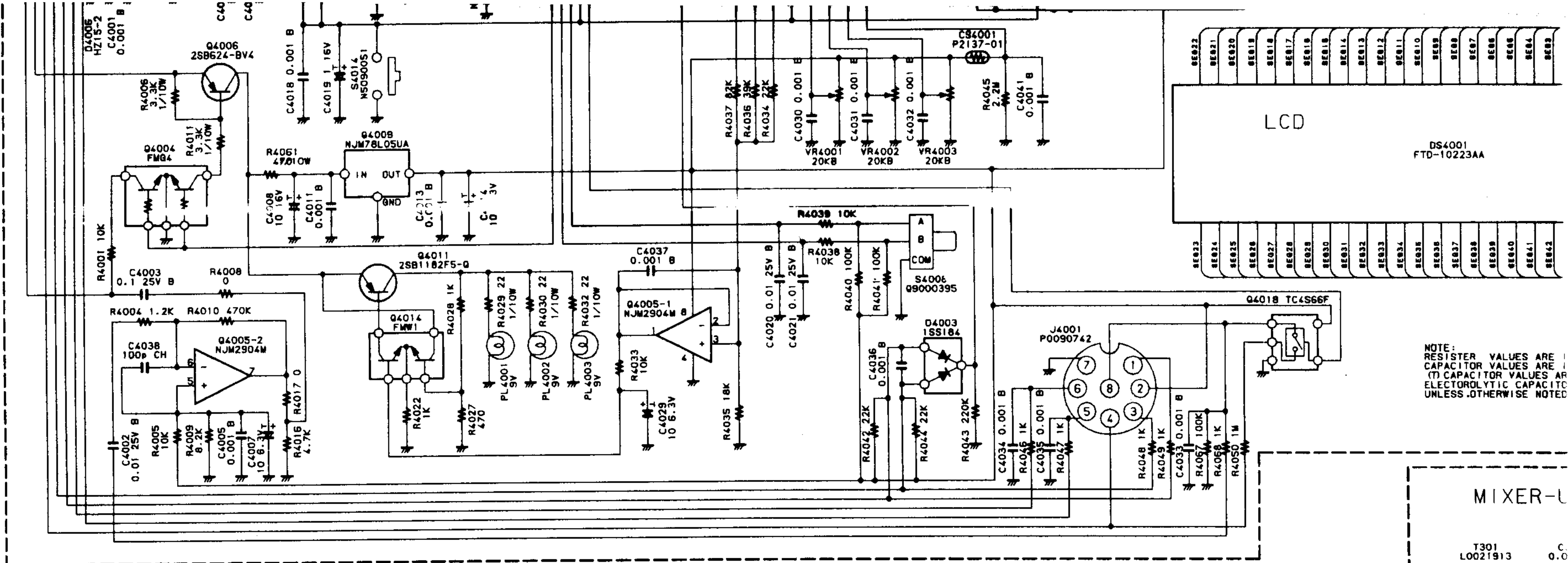
J1004 P0090612



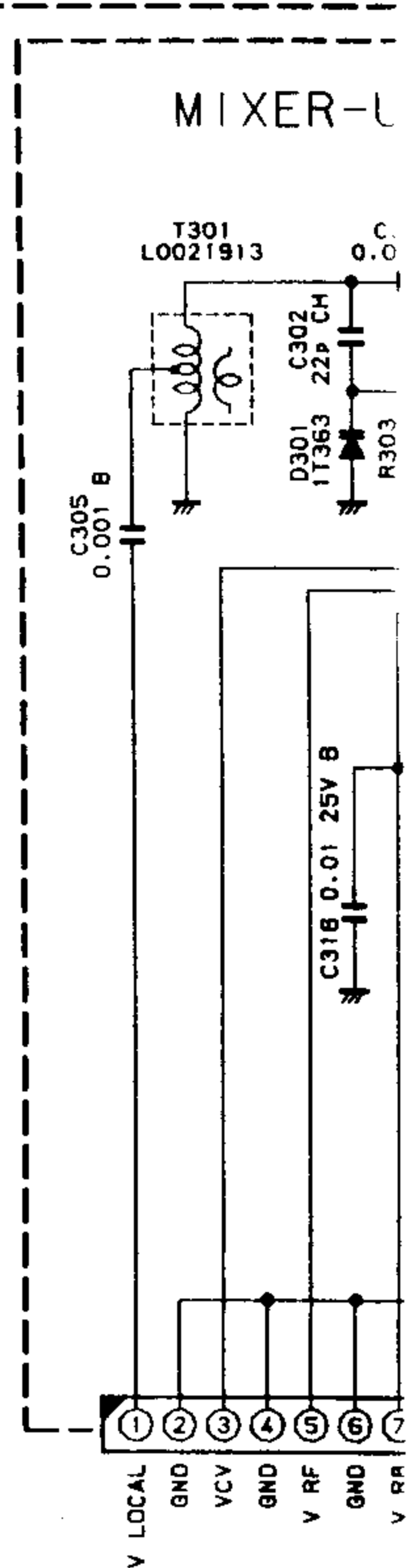
CNTL UNIT F3172101A

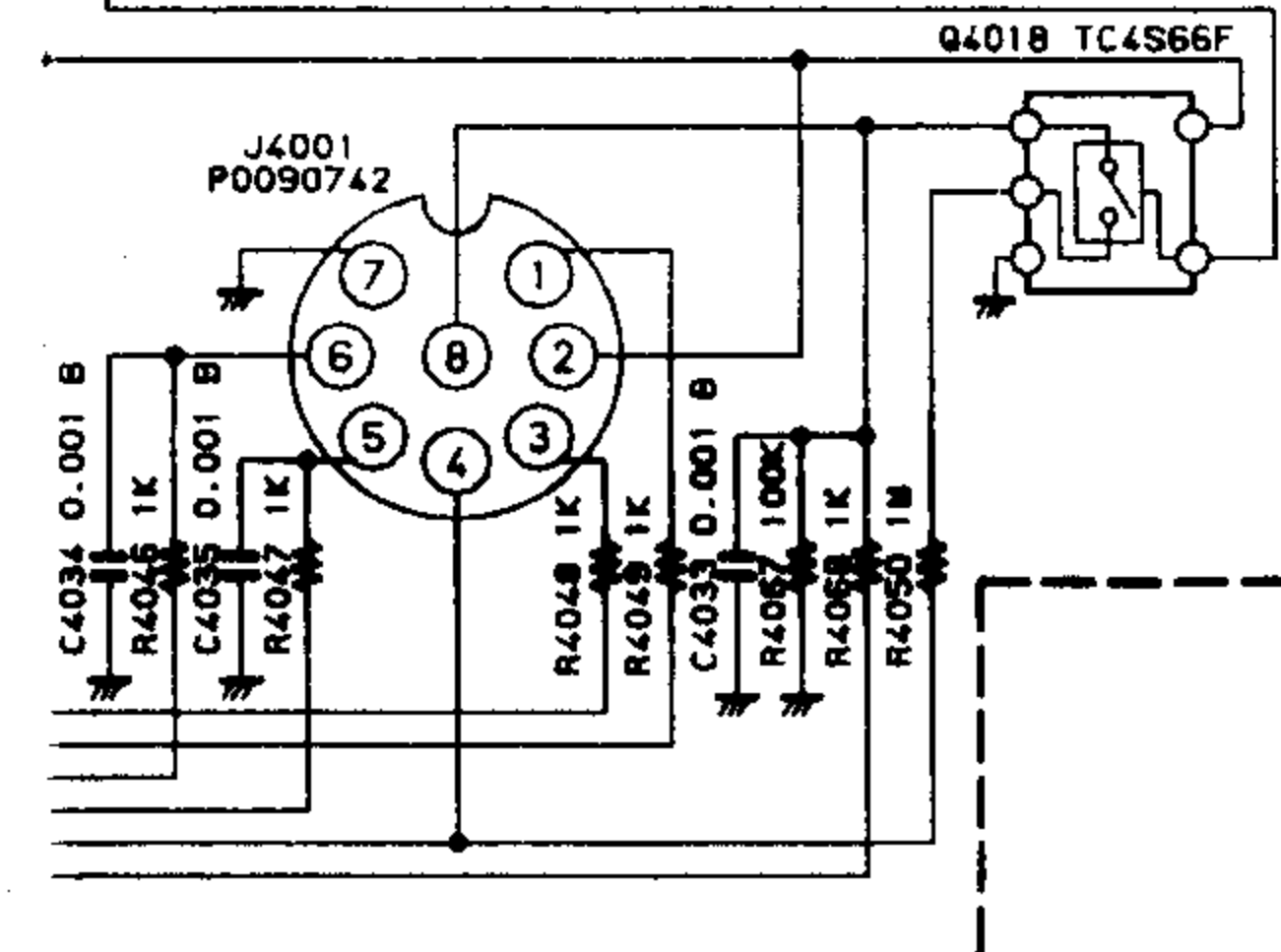
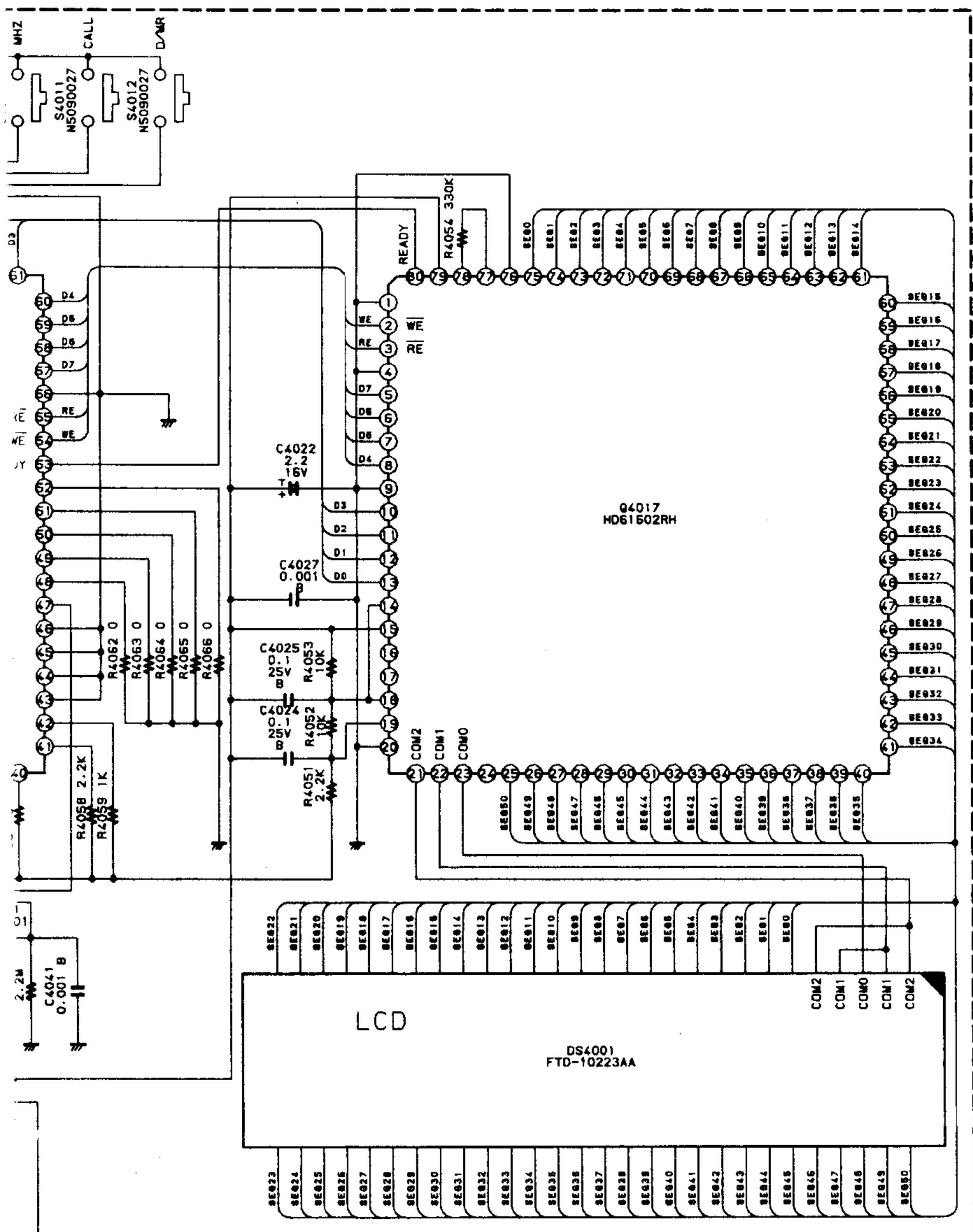


NOTE:  
RESISTOR VALUES ARE IN OHMS UNLESS OTHERWISE NOTED  
CAPACITOR VALUES ARE IN PICO FARADS UNLESS OTHERWISE NOTED  
ELECTROLYTIC CAPACITORS ARE IN MICROFARADS UNLESS OTHERWISE NOTED

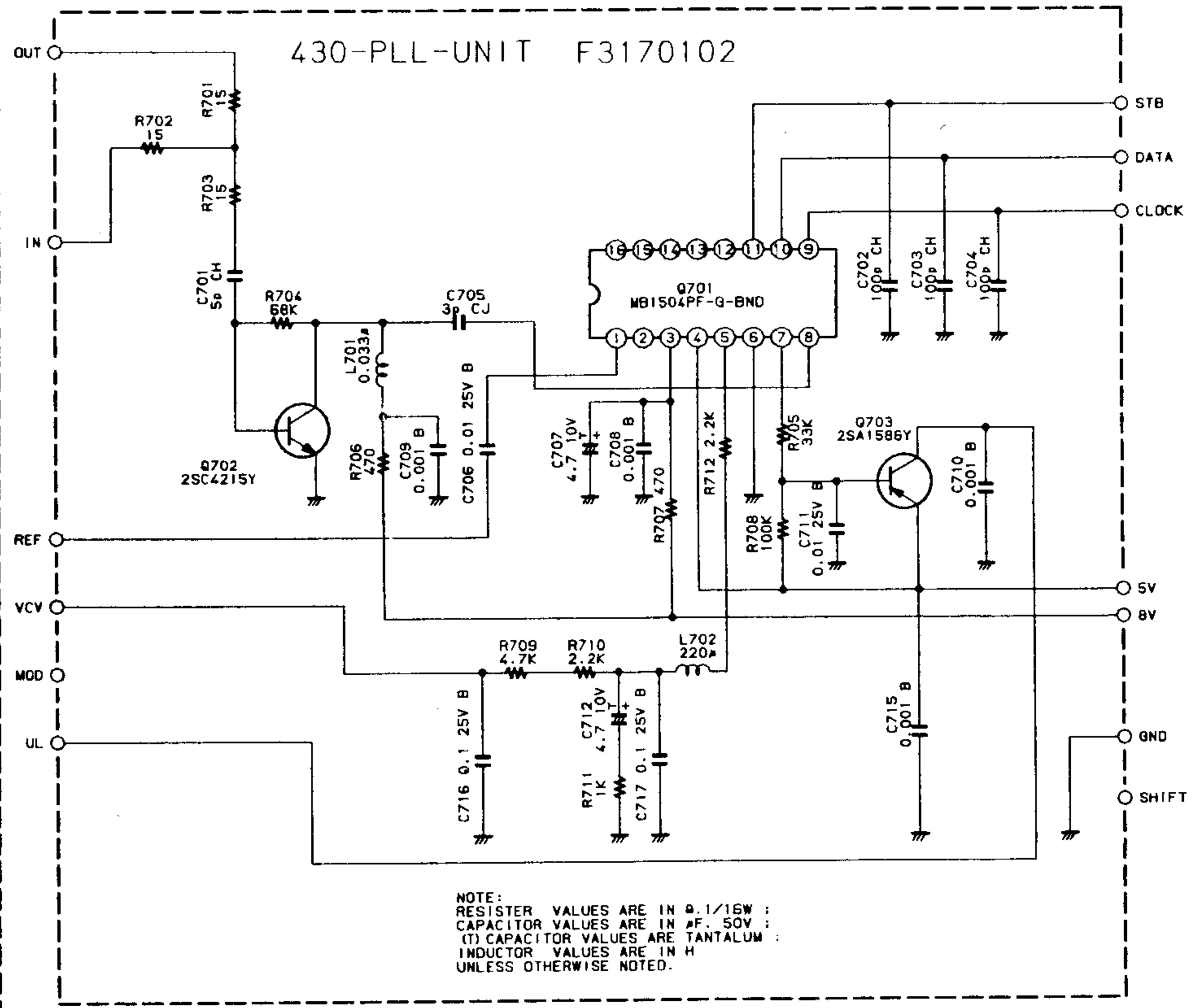
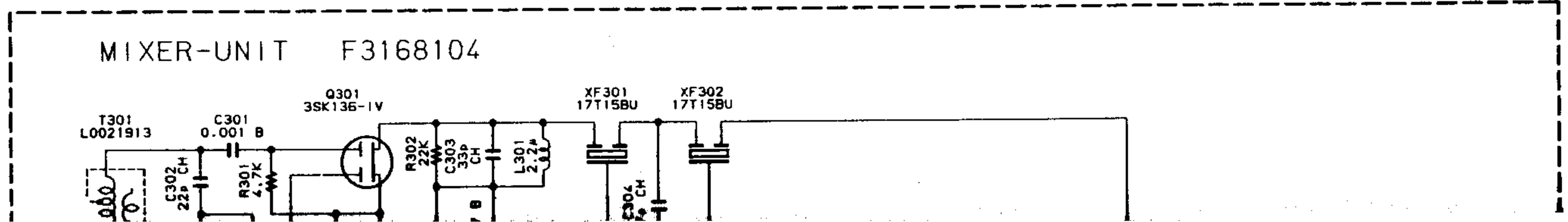


Scanned by IW1AXR  
Downloaded by RadioAmateur.EU





NOTE:  
RESISTOR VALUES ARE IN Ω, 1/16W ;  
CAPACITOR VALUES ARE IN nF, 50V ;  
(T) CAPACITOR VALUES ARE TANTALUM ;  
ELECTROLYTIC CAPACITOR ARE IN μF, 16V ;  
UNLESS OTHERWISE NOTED.



NOTE:  
RESISTOR VALUES ARE IN Ω, 1/16W ;  
CAPACITOR VALUES ARE IN nF, 50V ;  
(T) CAPACITOR VALUES ARE TANTALUM ;  
INDUCTOR VALUES ARE IN μH ;  
UNLESS OTHERWISE NOTED.

Scanned by IW1AXR

Downloaded by RadioAmateur.EU

# MIXER-UNIT F3168104

